

LED WORK LIGHTS

INDUSTRY PROFESSIONAL LIGHTING



NIKE MACHINERY CO., LTD.

LED LINEAR LIGHT NLL SERIES

High intensity LED lights save energy and have a long life.

IP-67 LED light waterproof and dustproof, suitable for using in machine tools and outdoors.

Constant current device to stabilize illumination.

LED LINEAR LIGHT NLL-L SERIES

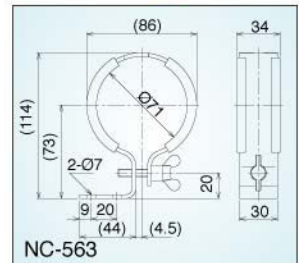
The NLL-L series 28°-42° lens provides focused light applications.

Characteristics and specifications are the same as NLL series.

- CE, FCC certified and RoHS compliant
- Color temperature : 6500K-Cool white (standard)
3000K-Warm white (optional)
591nm-Amber (optional)
- Life : 40,000 hours(@L70, 40°C/104°F)
- Work environment : -10°C~40°C(14°F~104°F)
- Standard Cable : 3M (9.84ft) VCTF 0.75mm² 2C
- Tube : Glass, Acrylic
- Optional :
Mounting Bracket : NC-563, NC-560
Cable Cover : Metal, Plastic



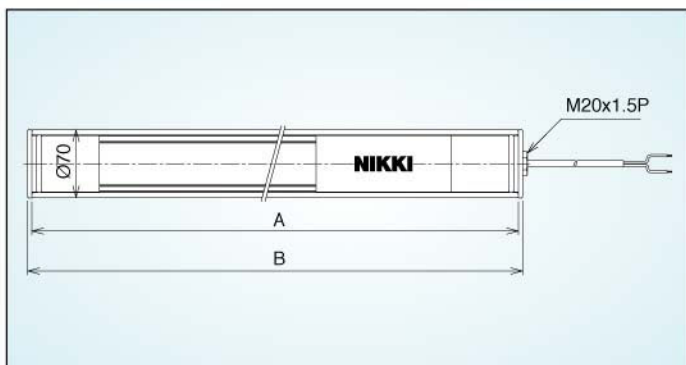
Mounting Brackets



Cable Covers



Dimensions



Type	Length	A	B
NLL 13		405	415
NLL 18		505	515
NLL 36		690	700
NLL 40		1486	1496

(mm)

Specifications

Type	Power source	Wattage	Lumens	Lum/m
NLL18G-AC	AC100V-240V 50/60Hz	12W	800Lm	220lx
NLL36G-AC		24W	1600Lm	350lx
NLL40G-AC		28W	2000Lm	440lx
NLL13G-DC	DC24V	10W	800Lm	220lx
NLL18G-DC			800Lm	
NLL36G-DC		20W	1600Lm	350lx
NLL40G-DC		25W	2000Lm	440lx
NLL18G-AC-L	AC100V-240V 50/60Hz	12W	800Lm	1850lx
NLL36G-AC-L		24W	1600Lm	3070lx
NLL40G-AC-L		28W	2000Lm	2140lx
NLL13G-DC-L	DC24V	10W	800Lm	1850lx
NLL18G-DC-L			800Lm	
NLL36G-DC-L		20W	1600Lm	3070lx
NLL40G-DC-L		25W	2000Lm	2140lx
NLL18TG-AC	AC100V-240V 50/60Hz	16W	1200Lm	300lx
NLL36TG-AC		32W	2400Lm	540lx
NLL13TG-DC	DC24V	14W	1200Lm	300lx
NLL18TG-DC		14W	1200Lm	300lx
NLL36TG-DC		28W	2400Lm	540lx
NLL18TG-AC-L	AC100V-240V 50/60Hz	16W	1200Lm	1670lx
NLL36TG-AC-L		32W	2400Lm	3110lx
NLL13TG-DC-L	DC24V	14W	1200Lm	1670lx
NLL18TG-DC-L		14W	1200Lm	1670lx
NLL36TG-DC-L		28W	2400Lm	3110lx

NLL | **13** | **T(Two rows)** | **Color temperature** | **Tube** - **Power source** + **NC-560(Mounting brackets)**

Type

13 / 18 / 36 / 40

Two rows

One row(standard)
T=Two rows

Color temperature

Standard=cool white(PHILIPS)
W=warm white(PHILIPS)
A=amber white(PHILIPS)
(Wave length 587.8nm~594.3nm)
S=cool white(SAMSUNG)
SW=warm white(SAMSUNG)

Mounting brackets

NC-560
NC-563

Power source

DC=DC24V
AC=AC100~240V

Tube

G=GLASS
A=ACRYLIC

LED SPOT LIGHT NLS10/20 SERIES

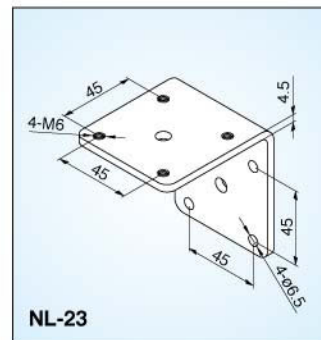
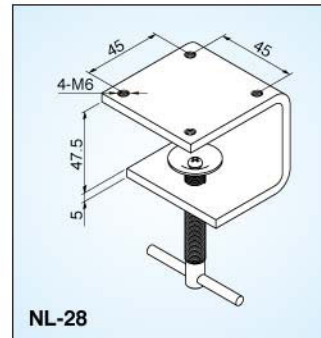
High intensity LED lights save energy and have a long life.
 Excellent replacement for any halogen spot light.
 Constant current device to stabilize illumination.

- CE, FCC certified and RoHS compliant
- Color temperature : 6500K-Cool white (standard)
 3000K-Warm white (optional)
 591nm-Amber (optional)

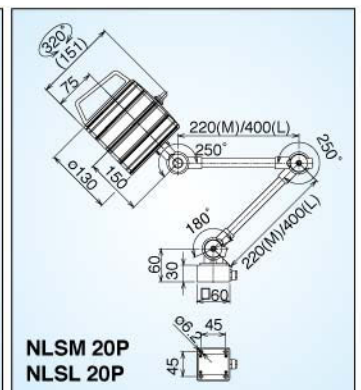
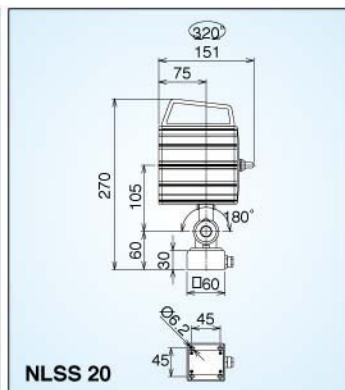
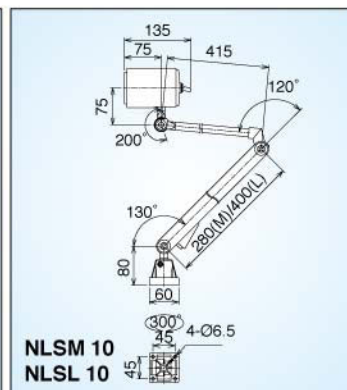
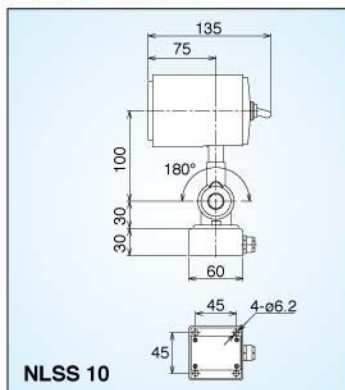
- Life : 40,000 hours(@L70, 40°C/104°F)
- Work environment : -10°C~40°C(14°F~104°F)
- Standard Cable : 3M (9.84ft) VCTF 0.75mm² 2C
- IP-67 (Lamp head only)
- Optional :
 Mounting Bracket : NL-28, NL-23



Mounting Brackets



Dimensions



Specifications

Type	Power source	Wattage	Lumens	Lum/m
NLSS10	DC24V	5W	400Lm	1500lx
NLSM10				
NLSL10				
NLSM10P				
NLSL10P				
NLSS20	•DC24V •AC100~120V •AC200~240V	11W	900Lm	5720lx
NLSM20P				
NLSL20P				

New

LED LIGHT NLM SERIES

High intensity LED lights save energy and have a long life.
 Smaller tube diameter only 58mm, easier for install and use.
 Constant current device to stabilize illumination.
 Fixture angle adjustable.

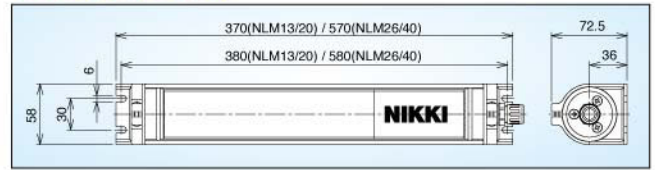
- CE, FCC certified and RoHS compliant
- Color temperature : 6500K-Cool white (standard)
 3000K-Warm white (optional)
- Life : 40,000 hours(@L70, 40°C/104°F)
- Work environment : -10°C~40°C(14°F~104°F)
- Standard Cable : 3M (9.84ft) VCTF 0.75mm² 2C
- IP-67
- Optional :
 Cable cover : Plastic
 Ambient light



Cable Cover



Dimensions



Specifications

Type	Power source	Wattage	Lumens	Lum/m
NLM13	DC 24V AC100~240V	10W	800Lm	1800lx
NLM26		20W	1600Lm	3000lx
NLM13S	DC24V	10W	1000Lm	210lx
NLM26S		20W	2000Lm	380lx

New

SLIM FLAT LED LIGHT NLF SERIES

High intensity LED lights save energy and have a long life.
 Small scale design, save space, apply to any kinds of machine.
 28°~42° lens provides focused light applications.
 Constant current device to stabilize illumination.

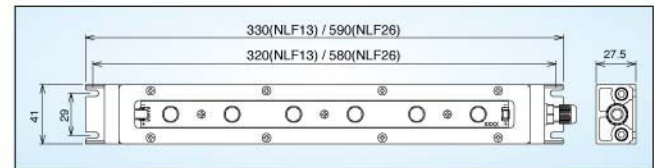
- CE, FCC certified and RoHS compliant
- Color temperature : 6500K-Cool white (standard)
 3000K-Warm white (optional)
- Life : 40,000 hours(@L70, 40°C/104°F)
- Work environment : -10°C~40°C(14°F~104°F)
- Standard Cable : 3M (9.84ft) VCTF 0.75mm² 2C
- IP-67
- Optional :
 Cable cover : Plastic



Cable Cover



Dimensions



Specifications

Type	Power source	Wattage	Lumens	Lum/m
NLF13	DC24V	10W	800Lm	1034lx
NLF26		20W	1600Lm	1896lx

New

FLAT LED LIGHT NLE SERIES

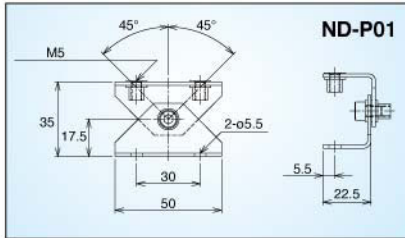
High intensity LED lights save energy and have a long life.
Flat design for compact machine.
Constant current device to stabilize illumination.

- CE, FCC certified and RoHS compliant
- Color temperature : 6500K-Cool white (standard)
3000K-Warm white (optional)
591nm-Amber (optional)
- Life : 40,000 hours(@L70, 40°C/104°F)
- Work environment : -10°C~40°C(14°F~104°F)
- Standard Cable : 3M (9.84ft) VCTF 0.75mm² 2C
- IP-67

- Optional :
-Mounting Bracket : ND-P01
- Cable cover : Plastic
- Glass : Clear/Diffused
- Flange(F) : Black, white
- Ambient light



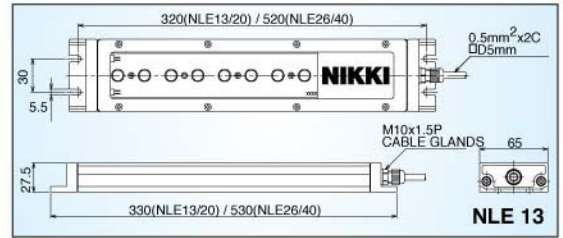
Mounting Bracket



Cable Cover



Dimensions



Specifications

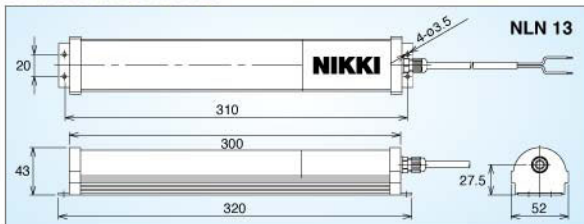
Type	Power source	Wattage	Lumens	Lum/m
NLE13	DC 24V	10W	800Lm	1800lx
NLE20		15W	1200Lm	1200lx
NLE26		20W	1600Lm	3070lx
NLE40		28W	2400Lm	3110lx

LED LIGHT NLN SERIES

High intensity LED lights save energy and have a long life.
NLN Lights are not waterproof.
Constant current device to stabilize illumination.

- CE, FCC certified and RoHS compliant
- Color temperature : 6500K-Cool white (standard)
3000K-Warm white (optional)
591nm-Amber (optional)
- Life : 40,000 hours(@L70, 40°C/104°F)
- Work environment : -10°C~40°C(14°F~104°F)
- Standard Cable : 3M (9.84ft) VCTF 0.75mm² 2C

Dimensions



Specifications

Type	Power source	Wattage	Lumens	Lum/m
NLN13	DC24V	10W	800Lm	220lx
NLN36		20W	1600Lm	440lx



New

THIN LED LIGHT NLT SERIES

High intensity LED lights save energy and have a long life.

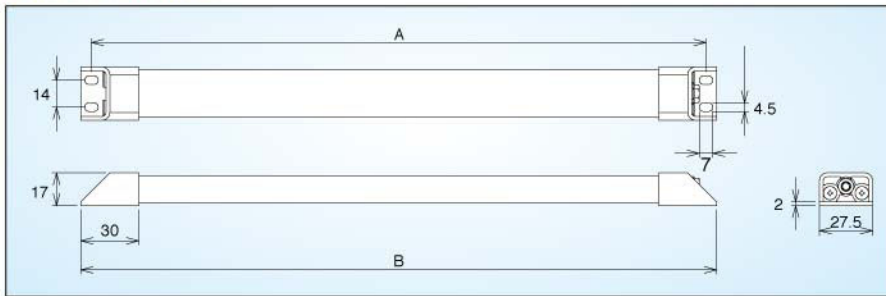
NLT Series can be used with machine tool, food processing equipment and freezers. Compact design can fit anywhere on machine.

Polycarbonate light cover.



- CE, FCC certified and RoHS compliant
- Color temperature : 6500K-Cool white (standard)
3000K-Warm white (optional)
- Life : 40,000 hours(@L70, 40°C/104°F)
- Work environment : -40°C~40°C(-40°F~104°F)
- Standard Cable : 3M (9.84ft) VCTF 0.75mm² 2C
- IP-65

Dimensions



		(mm)	
Type	Length	A	B
NLT05		200	210
NLT10		320	330
NLT20		570	580
NLT30		820	830
NLT40		1070	1080

Specifications of NLT Series

Type	Power source	Wattage	Lumens	Lum/m	Cover
NLT05-DC	DC24V	2.4W	190Lm	95lx	Clear
NLT10-DC		4.8W	380Lm	180lx	
NLT20-DC		10.8W	760Lm	350lx	
NLT30-DC		15.6W	1140Lm	520lx	
NLT40-DC		21.6W	1520Lm	700lx	
NLT05-DC-S	DC24V	2.4W	190Lm	90lx	Diffused
NLT10-DC-S		4.8W	380Lm	160lx	
NLT20-DC-S		10.8W	760Lm	340lx	
NLT30-DC-S		15.6W	1140Lm	490lx	
NLT40-DC-S		21.6W	1520Lm	640lx	

NIKE MACHINERY CO., LTD.

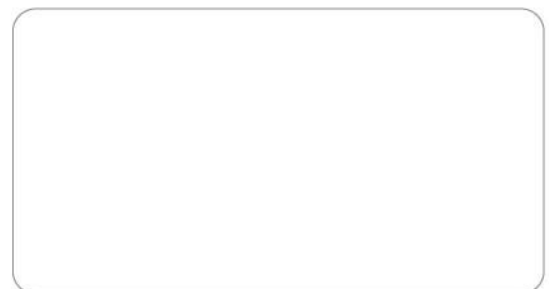
407 5F-5, No.210 38 Rd., Taichung Industry Park,
Taichung Taiwan R.O.C.

TEL:04-2358-5155 FAX:04-2358-5156

www.nikki-tr.com.tw

E-mail:info@nikki-tr.com.tw

*ISO 9001 2008 certification



C/N.2012.03 (0.3)